



BUILT IN BHARAT

Excellence Series

Engine	Yanmar 4TNV98
Gross Power	62 hp @ 2,200 rpm
Standard Bucket Capacity	0.32 m ³
Digging Depth	4,030 mm
Operating Weight	7,500 Kg
Cabin	Air Conditioned

908E EXCAVATOR

TOUGH WORLD. TOUGH EQUIPMENT.

908E SPECIFICATIONS. >>>



ENGINE

Make	Yanmar
Model	4TNV98
Gross Power	62 hp @ 2,200 rpm
Peak Torque	245 N-m @ 1,650 rpm
Number of Cylinders	4
Displacement	3.3 L

HYDRAULIC SYSTEM

Main Pump Type	Variable Displacement Piston Pump
Main Pump Flow	158.4 LPM
Pilot Pump Flow	19 LPM
Implementation System Pressure	29.4 MPa
Travel System Pressure	29.4 MPa
Swing System Pressure	23.5 MPa
Pilot System Pressure	3.9 MPa

SWING SYSTEM

Swing Speed	12 rpm
Swing Motor	Axial Piston Motor
Swing Reduction	Planetary Gear
Swing Bearing	Lubrication Grease Bathed

DRIVE SYSTEM

Drive Type	Hydrostatic
Drive Motor	Axial Piston Motor
Drive Reduction	Planetary Gear
Max. Drawbar Pull	64 Kn
Travel Speed (High/Low)	(5.3/3.2) Km/h
Gradeability	70% (35°)

UNDERCARRIAGE

Track Shoe Width (Triple Grouser)	450 mm
No. of Track Shoes	39 Each Side
No. of Bottom Rollers	5 Each Side
No. of Upper Rollers	1 Each Side

OPERATING WEIGHT

Operating Weight	7,500 kg
Shoe Ground Pressure	33.3 kPa

SERVICE CAPACITIES

Fuel Tank	140 L
Engine Oil	11.6 L
Cooling System	12 L
Hydraulic Oil Tank	80 L
Hydraulic System Total	110 L
Travel Device	1.3 Lx2

OPTIONAL

RB Pipeline
I-Link (GPS)
Cabin Front Guard

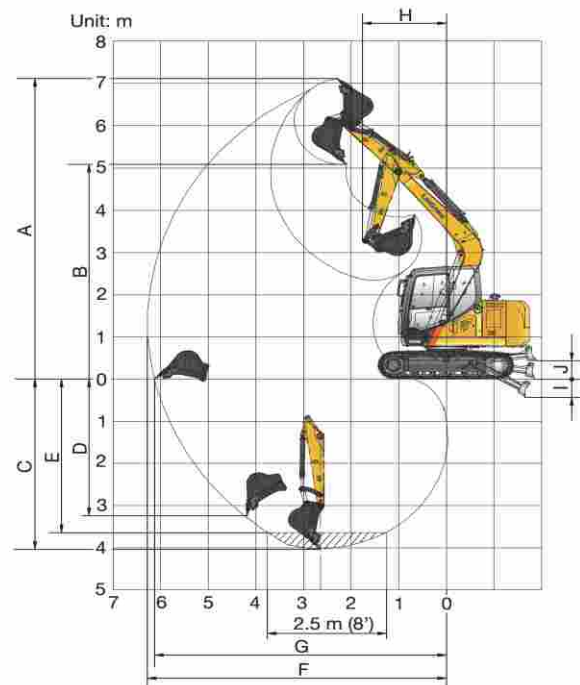
ELECTRICAL SYSTEM

Voltage	12 V
Battery	12 V, 120Ah x1
Working Lights	4

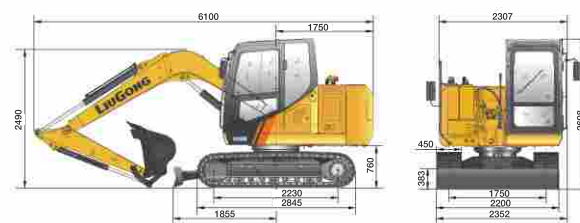
DIMENSIONS

Boom Length	3,710 mm
Arm Length	1,650 mm
A Dig Height	7,115 mm
B Dump Height	5,080 mm
C Dig Depth	4,030 mm
D Dig Depth of Vertical	3,240 mm
E Depth of 8 Bottom	3,645 mm
F Max Reach	6,270 mm
G Reach at Ground Level	6,125 mm
H Min Swing Radius	1,785 mm
I Blade Down	440 mm
J Blade Up	425 mm
ISO Bucket Break Out Force	56 kN
ISO Arm Break Out Force	36 kN

WORKING DIMENSIONS (Reference Bucket - 0.32 m³)



STATIC DIMENSIONS



Unit: mm

Corporate office
LiuGong India Pvt. Ltd.
 82, Okhla Industrial Estate, Phase III
 New Delhi- 110020
 Tel.: 011- 47272200
 www.liugong.com
 india@liugong.com

Plant Address:
 Plot No. 163, Industrial Area,
 Sector - III, Pithampur,
 Dist. - Dhar, Madhya Pradesh - 454774
 Tel.: 07292-416700

Specifications and designs are subject to change without notice. Machines shown may include optional equipment.

Mera LiuGong Mera Vishwas
1800 1033 852