



Engine	Kirloskar 4R1190TA1
Gross Power	110 HP @ 2,200 rpm
Operating Weight	11,000 kg
Vibration Frequency	32/34 Hz
Centrifugal Force Range	270kN/125kN
Drum Width	2130 mm

# 611

## SOIL COMPACTOR

TOUGH WORLD. TOUGH EQUIPMENT.

# 611 SPECIFICATIONS >>>



## ENGINE

Make	Kirloskar
Model	4R1190TA1
Emission	CEV Stage IV
Gross Power	110 hp @ 2200 rpm
Peak Torque	450 N-m @ 1320 rpm
Displacement	4.76 L
Aspiration	Turbocharged
Number of Cylinders	4

## DRIVE TRAIN

Transmission Type	Hydrostatic
Gradeability	35%
Working Speed	0-7 Km/hr
Travel Speed	0-13 Km/hr

## HYDRAULIC SYSTEM

Travel System	Variable Closed Loop Axial Piston Pump with Mechanical Servo Proportional control
Vibration System	Variable Closed Loop Axial Piston Pump with Two Point Electric Control

## BRAKE SYSTEM

Service Brake Type	Hydrostatic Propulsion System
Parking Brake Actuation	Spring Applied, Hydraulic Release

## TIRES

Tire Size	23.1-26-12PR
-----------	--------------

## OPERATING WEIGHT

Operating Weight	11000 kg
------------------	----------

## PERFORMANCE PARAMETERS

Vibration Stage	2
Frequency Range	32/34 Hz
Amplitude Range	1.8/0.8 mm
Centrifugal Force	270/125 kN
Maximum Applied Force	38,532/33,332 kg

## STEERING

Steering System	Articulation
Steering Angle	± 35°
Differential Type	Limited Slip Standard

## DIMENSIONS

A Wheelbase	2900 mm
B Overall Width	2300 mm
C Rear Overhang	1736 mm
D Drum Diameter	1500 mm
E Drum Thickness	25 mm
H1 Overall Height	3232 mm
K Ground Clearance	480 mm
L Overall Length	5900 mm
W1 Drum Width	2130 mm

## SERVICE CAPACITIES

Fuel Tank	280 L
Engine Oil	8.5 L
Engine Coolant	18 L
Urea Tank	16 L
Hydraulic Oil Tank	90 L

## ELECTRICAL SYSTEM

Battery	12V / 150Ah
Alternator	12V / 90A

## INSTRUMENTATION

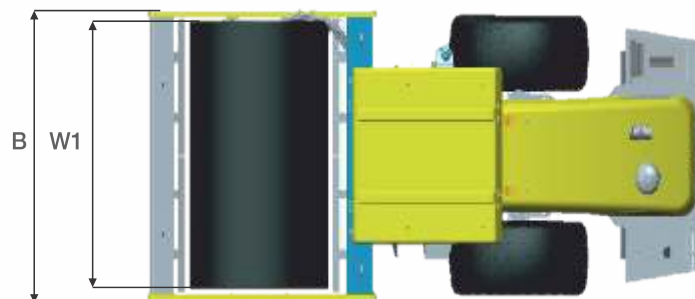
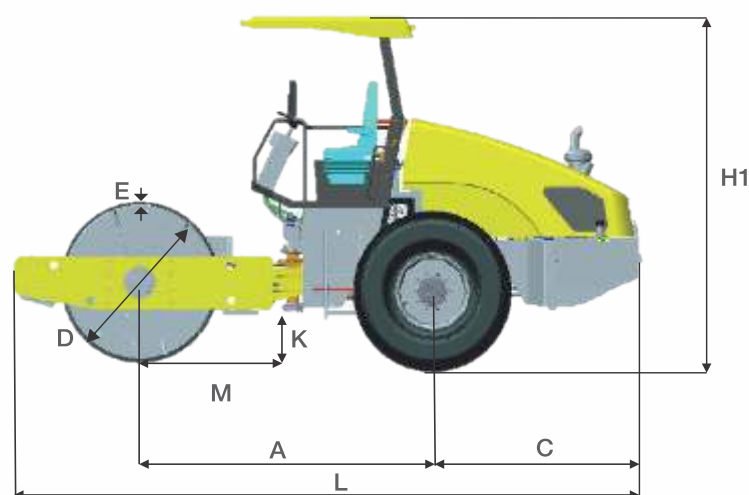
Indicator	Turn Indicator, Parking Indicator, Battery Charging & Travel Mode & Adblue Level.
Gauges	Engine Oil Pressure, Fuel Level Alarm, RPM Meter & Service Hour Meter.
Warning Light	Engine Oil Pressure, Air Filter Clogging, Cold Start Lamp, OBD Lamp.

## STANDARD FEATURES

Suspension Seat
Tool Box

## OPTIONAL FEATURES

Compaction Meter
Drum Drive
Pad Foot Drum Kit
GPS



Unit: mm

**Corporate office**  
**LiuGong India Pvt. Ltd.**  
 101, Okhla Industrial Estate, Phase III  
 New Delhi- 110020  
 Tel.: 011- 47272200  
 www.liugong.com  
 india@liugong.com

**Plant Address:**  
 Plot No. 163, Industrial Area,  
 Sector - III, Pithampur,  
 Dist. - Dhar, Madhya Pradesh - 454774  
 Tel.: 07292-416700

Mera LiuGong Mera Vishwas  
**1800 1033 852**

12/2022 LIPL

Specifications and designs are subject to change without notice. Machines shown may include optional equipment.