



Engine	Kirloskar 4R1190NA1
Gross Power	74.5 hp @ 2,200 rpm
Operating Weight	10,000 kg
Vibration Frequency	42/50 Hz
Centrifugal Force	90/62 kN
Drum Width	1750 mm

6210E

TANDEM ROLLER

TOUGH WORLD. TOUGH EQUIPMENT.

6210E SPECIFICATIONS >>>



ENGINE

Make	Kirloskar
Model	4R1190NA1
Emission	CEV Stage IV
Gross Power	74.5 hp @ 2200 rpm
Peak Torque	300 N-m @ 1320 rpm
Displacement	4.76 L
Aspiration	Natural Aspiration
Number of Cylinders	4

DRIVE TRAIN

Gradeability (with/without Vibration)	35% / 40%
Working Speed	0-7 Km/hr
Travel Speed (High/Low)	0-13 Km/hr

HYDRAULIC SYSTEM

Travel System	Variable Displacement Axial Piston Pump with MDC Control
Vibration System	Variable Displacement Axial Piston Pump with EDC Control

BRAKE SYSTEM

Service Brake	Hydrostatic
Parking Brake	Mechanical Apply, Hydraulic Release

OPERATING WEIGHT

Operating Weight	10000 kg
Mass on Front Drum	5200 kg
Mass on Rear Drum	4800 kg

PERFORMANCE PARAMETERS

Number of Vibrating Drums	2
Frequency Range	42/50 Hz
Amplitude Range	0.4/0.8 mm
Centrifugal Force	90/62 kN
Amplitude Settings	2

STEERING

Steering Method	Articulation
Steering Angle	± 35°

DIMENSIONS

A Overall Length	4985 mm
B Overall Width	1925 mm
C Drum Width	1750 mm
D Drum Diameter	1200 mm
E Drum Thickness	16 mm
F Wheelbase	3585 mm
G Ground Clearance	270 mm
H Overall Height	3200 mm

SERVICE CAPACITIES

Fuel Tank	220 L
Engine Oil	8.5 L
Engine Coolant	21 L
Water Tank	800 L
Hydraulic Oil Tank	90 L

ELECTRICAL SYSTEM

Battery	12V / 150Ah
Alternator	12V / 90A

INSTRUMENTATION

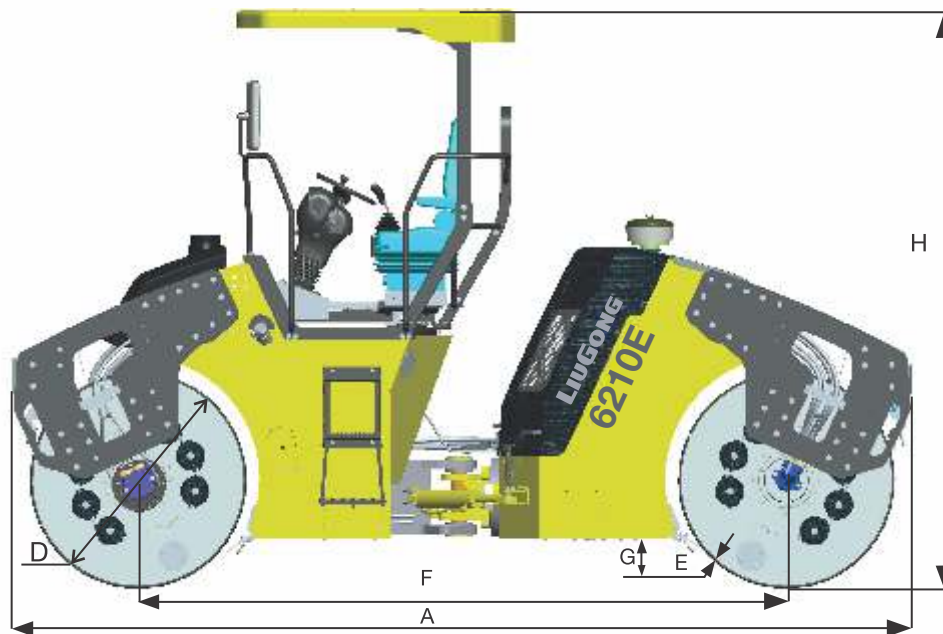
Indicator	Turn & Parking Indicator, Battery Charging
Gauges	Fuel Level, Engine Coolant Temperature, Hour Meter, RPM Meter, Maintenance Hours.
Warning Light	High Engine Coolant, Low Fuel Level, Air Filter Clogging

STANDARD FEATURES

Suspension Seat
Tool Box

OPTIONAL FEATURES

Seat Belt Reminder
Compaction Meter
GPS



**Extra Thickness layer of 8mm inside both the drums

Unit: mm

Corporate office
LiuGong India Pvt. Ltd.
 101, Okhla Industrial Estate, Phase III
 New Delhi- 110020
 Tel.: 011- 47272200
 www.liugong.com
 india@liugong.com

Plant Address:
 Plot No. 163, Industrial Area,
 Sector - III, Pithampur,
 Dist. - Dhar, Madhya Pradesh - 454774
 Tel.: 07292-416700

Mera LiuGong Mera Vishwas
1800 1033 852

12/2022 LIPL

Specifications and designs are subject to change without notice. Machines shown may include optional equipment.