



LIUGONG



856HE 

BATTERY TYPE	Lithium Iron Phosphate
RATED STORAGE ENERGY	350 kWh
OPERATING WEIGHT	19,971 kg
RATED LOAD CAPACITY	5,800 kg
STANDARD BUCKET SIZE	3.5 m ³
STANDARD BREAKOUT FORCE	162 kN
STANDARD DUMP HEIGHT	2,977 mm

856HE 

 **LIUGONG**

***ZERO EMISSIONS
INFINITE POSSIBILITIES***



856HE

 **LIUGONG**



Energy Efficiency

- Advance VCU : Upto **96%** Energy Utilization.
- Closed-Center FV System : 10% Energy-Saving.
- Liugong Self-innovative Energy Recovery System : ~20% Energy Saving.
- 20% Higher Efficiency of Energy Transfer Through Canceling Torque Converter.
- Fully Automatic, Electric Control Advance Transmission EAT700, Better Operation Efficiency.



Powerful Performance

- Best in Class Payload.
- High Operating Weight for Stable Operation.
- High Traction & Breakout Force.
- Faster Cycle Time.



Reliability Commitment

- Proven_Battery.
- 8+Years of Research on Battery Management System.
- Advanced BMS for Battery Health Management.
- Robust Battery Encapsulation, Waterproof, Dust Prevention and Corrosion Resistance.



Intelligent Control

- Intelligent VCU & BMS.
- Intelligent Temperature Control.
- Smart Self Diagnostic System.
- One-Touch Start/Stop, Electric-Powered Adjustable Rear-View Mirror, Intelligent Temperature-Control Air Conditioning.
- Advance Liugong i-Link : Stay Connected.



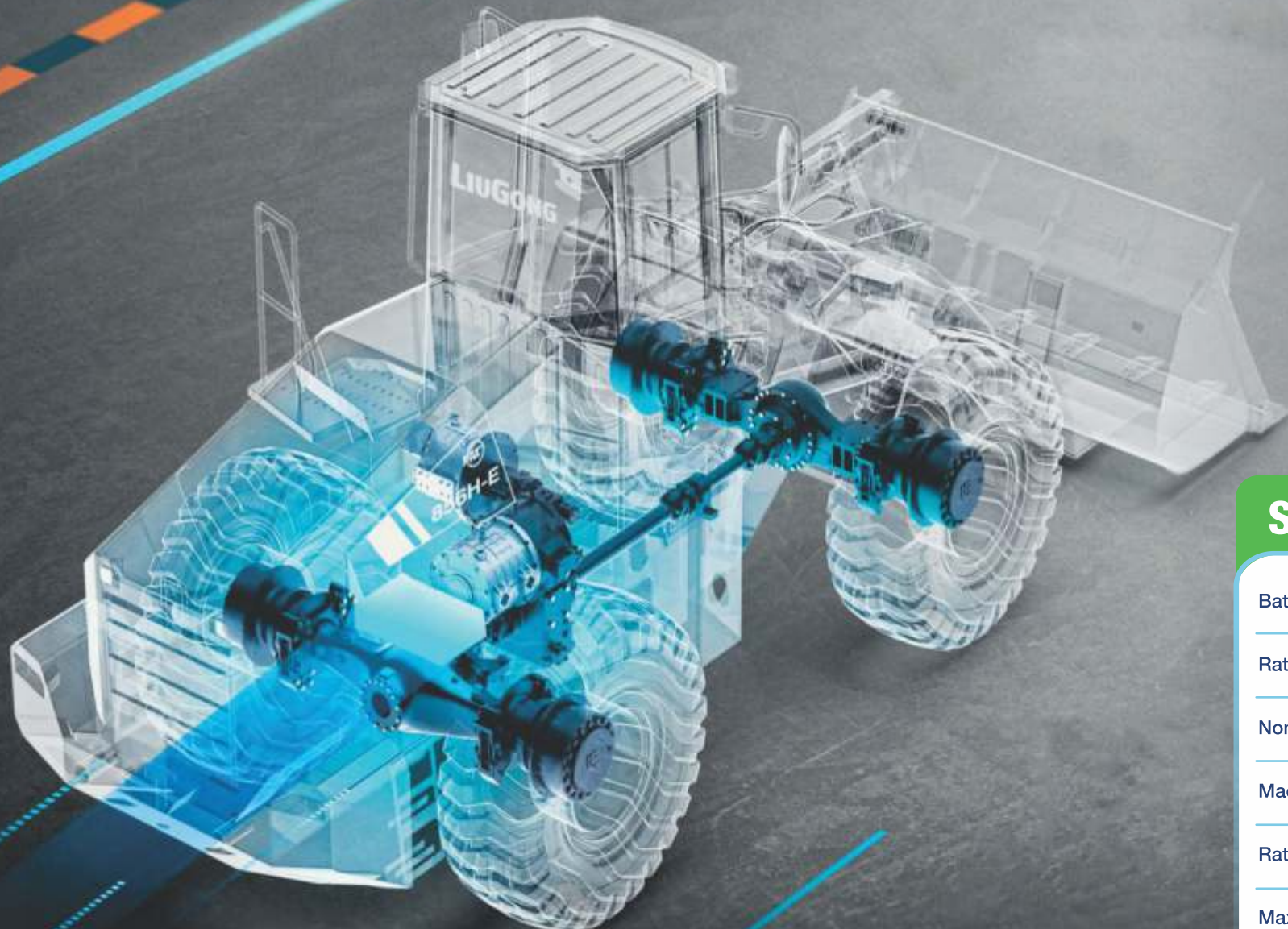
Comfort Safety

- Comfortable and Easy Operation Driven by Electric Proportional Fingertip Control.
- Cab Noise Lowered by 10dB(A) and Bystander Noise by About 20dB(A)
- 3-Level Safety Alarm System, IP67 Harness Protection



856HE

LIUGONG



SYSTEM DESCRIPTION

Battery Type	Lithium Iron Phosphate
Rated Storage Energy	350kWh
Nominal Voltage	580V
Machine Power	180kW
Rated Output Current	302Ah
Max. Charging Current	400A

856HE



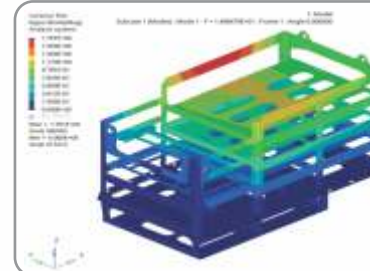
RELIABILITY COMMITMENT



- Proven Lithium Iron Phosphate Battery
- 8+ Years of Research on Battery Management System.
- Advanced BMS for Battery Health Management.
- Robust Battery Encapsulation, Waterproof, Dust Prevention and Corrosion Resistance.



Integrated Battery Encapsulation, High Voltage Area, 3-level Safety Alarm



Shock Absorption Technology Satisfies Tough Working Conditions and Ensures Stable Operation of Battery System

State	00	01	02	03	04	05	06	07	08	09	0A	0B	0C	0D	0E	0F
00%	00	01	02	03	04	05	06	07	08	09	0A	0B	0C	0D	0E	0F
01%	00	01	02	03	04	05	06	07	08	09	0A	0B	0C	0D	0E	0F
02%	00	01	02	03	04	05	06	07	08	09	0A	0B	0C	0D	0E	0F
03%	00	01	02	03	04	05	06	07	08	09	0A	0B	0C	0D	0E	0F
04%	00	01	02	03	04	05	06	07	08	09	0A	0B	0C	0D	0E	0F
05%	00	01	02	03	04	05	06	07	08	09	0A	0B	0C	0D	0E	0F
06%	00	01	02	03	04	05	06	07	08	09	0A	0B	0C	0D	0E	0F
07%	00	01	02	03	04	05	06	07	08	09	0A	0B	0C	0D	0E	0F
08%	00	01	02	03	04	05	06	07	08	09	0A	0B	0C	0D	0E	0F
09%	00	01	02	03	04	05	06	07	08	09	0A	0B	0C	0D	0E	0F
10%	00	01	02	03	04	05	06	07	08	09	0A	0B	0C	0D	0E	0F
11%	00	01	02	03	04	05	06	07	08	09	0A	0B	0C	0D	0E	0F
12%	00	01	02	03	04	05	06	07	08	09	0A	0B	0C	0D	0E	0F
13%	00	01	02	03	04	05	06	07	08	09	0A	0B	0C	0D	0E	0F
14%	00	01	02	03	04	05	06	07	08	09	0A	0B	0C	0D	0E	0F
15%	00	01	02	03	04	05	06	07	08	09	0A	0B	0C	0D	0E	0F
16%	00	01	02	03	04	05	06	07	08	09	0A	0B	0C	0D	0E	0F
17%	00	01	02	03	04	05	06	07	08	09	0A	0B	0C	0D	0E	0F
18%	00	01	02	03	04	05	06	07	08	09	0A	0B	0C	0D	0E	0F
19%	00	01	02	03	04	05	06	07	08	09	0A	0B	0C	0D	0E	0F
20%	00	01	02	03	04	05	06	07	08	09	0A	0B	0C	0D	0E	0F
21%	00	01	02	03	04	05	06	07	08	09	0A	0B	0C	0D	0E	0F
22%	00	01	02	03	04	05	06	07	08	09	0A	0B	0C	0D	0E	0F
23%	00	01	02	03	04	05	06	07	08	09	0A	0B	0C	0D	0E	0F
24%	00	01	02	03	04	05	06	07	08	09	0A	0B	0C	0D	0E	0F
25%	00	01	02	03	04	05	06	07	08	09	0A	0B	0C	0D	0E	0F
26%	00	01	02	03	04	05	06	07	08	09	0A	0B	0C	0D	0E	0F
27%	00	01	02	03	04	05	06	07	08	09	0A	0B	0C	0D	0E	0F
28%	00	01	02	03	04	05	06	07	08	09	0A	0B	0C	0D	0E	0F
29%	00	01	02	03	04	05	06	07	08	09	0A	0B	0C	0D	0E	0F
30%	00	01	02	03	04	05	06	07	08	09	0A	0B	0C	0D	0E	0F
31%	00	01	02	03	04	05	06	07	08	09	0A	0B	0C	0D	0E	0F
32%	00	01	02	03	04	05	06	07	08	09	0A	0B	0C	0D	0E	0F
33%	00	01	02	03	04	05	06	07	08	09	0A	0B	0C	0D	0E	0F
34%	00	01	02	03	04	05	06	07	08	09	0A	0B	0C	0D	0E	0F
35%	00	01	02	03	04	05	06	07	08	09	0A	0B	0C	0D	0E	0F
36%	00	01	02	03	04	05	06	07	08	09	0A	0B	0C	0D	0E	0F
37%	00	01	02	03	04	05	06	07	08	09	0A	0B	0C	0D	0E	0F
38%	00	01	02	03	04	05	06	07	08	09	0A	0B	0C	0D	0E	0F
39%	00	01	02	03	04	05	06	07	08	09	0A	0B	0C	0D	0E	0F
40%	00	01	02	03	04	05	06	07	08	09	0A	0B	0C	0D	0E	0F
41%	00	01	02	03	04	05	06	07	08	09	0A	0B	0C	0D	0E	0F
42%	00	01	02	03	04	05	06	07	08	09	0A	0B	0C	0D	0E	0F
43%	00	01	02	03	04	05	06	07	08	09	0A	0B	0C	0D	0E	0F
44%	00	01	02	03	04	05	06	07	08	09	0A	0B	0C	0D	0E	0F
45%	00	01	02	03	04	05	06	07	08	09	0A	0B	0C	0D	0E	0F
46%	00	01	02	03	04	05	06	07	08	09	0A	0B	0C	0D	0E	0F
47%	00	01	02	03	04	05	06	07	08	09	0A	0B	0C	0D	0E	0F
48%	00	01	02	03	04	05	06	07	08	09	0A	0B	0C	0D	0E	0F
49%	00	01	02	03	04	05	06	07	08	09	0A	0B	0C	0D	0E	0F
50%	00	01	02	03	04	05	06	07	08	09	0A	0B	0C	0D	0E	0F
51%	00	01	02	03	04	05	06	07	08	09	0A	0B	0C	0D	0E	0F
52%	00	01	02	03	04	05	06	07	08	09	0A	0B	0C	0D	0E	0F
53%	00	01	02	03	04	05	06	07	08	09	0A	0B	0C	0D	0E	0F
54%	00	01	02	03	04	05	06	07	08	09	0A	0B	0C	0D	0E	0F
55%	00	01	02	03	04	05	06	07	08	09	0A	0B	0C	0D	0E	0F
56%	00	01	02	03	04	05	06	07	08	09	0A	0B	0C	0D	0E	0F
57%	00	01	02	03	04	05	06	07	08	09	0A	0B	0C	0D	0E	0F
58%	00	01	02	03	04	05	06	07	08	09	0A	0B	0C	0D	0E	0F
59%	00	01	02	03	04	05	06	07	08	09	0A	0B	0C	0D	0E	0F
60%	00	01	02	03	04	05	06	07	08	09	0A	0B	0C	0D	0E	0F
61%	00	01	02	03	04	05	06	07	08	09	0A	0B	0C	0D	0E	0F
62%	00	01	02	03	04	05	06	07	08	09	0A	0B	0C	0D	0E	0F
63%	00	01	02	03	04	05	06	07	08	09	0A	0B	0C	0D	0E	0F
64%	00	01	02	03	04	05	06	07	08	09	0A	0B	0C	0D	0E	0F
65%	00	01	02	03	04	05	06	07	08	09	0A	0B	0C	0D	0E	0F
66%	00	01	02	03	04	05	06	07	08	09	0A	0B	0C	0D	0E	0F
67%	00	01	02	03	04	05	06	07	08	09	0A	0B	0C	0D	0E	0F
68%	00	01	02	03	04	05	06	07	08	09	0A	0B	0C	0D	0E	0F
69%	00	01	02	03	04	05	06	07	08	09	0A	0B	0C	0D	0E	0F
70%	00	01	02	03	04	05	06	07	08	09	0A	0B	0C	0D	0E	0F
71%	00	01	02	03	04	05	06	07	08	09	0A	0B	0C	0D	0E	0F
72%	00	01	02	03	04	05	06	07	08	09	0A	0B	0C	0D	0E	0F
73%	00	01	02	03	04	05	06	07	08	09	0A	0B	0C	0D	0E	0F
74%	00	01	02	03	04	05	06	07	08	09	0A	0B	0C	0D	0E	0F
75%	00	01	02	03	04	05	06	07	08	09	0A	0B	0C	0D	0E	0F
76%	00	01	02	03	04	05	06	07	08	09	0A	0B	0C	0D	0E	0F
77%	00	01	02	03	04	05	06	07	08	09	0A	0B	0C	0D	0E	0F
78%	00	01	02	03	04	05	06	07	08	09	0A	0B	0C	0D	0E	0F
79%	00	01	02	03	04	05	06	07	08	09	0A	0B	0C	0D	0E	0F
80%	00	01	02	03	04	05	06	07	08	09	0A	0B	0C	0D	0E	0F
81%	00															

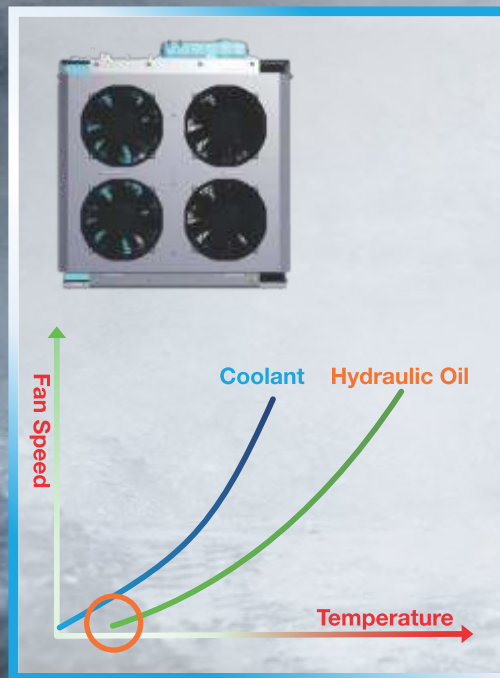
856HE

 LIUGONG

INTELLIGENT COOLING ENERGY EFFICIENT

Four sets of fans with independent rotation speed controls,
intelligent temperature control, reverse airflow for dust removal.

INTELLIGENT CONTROL



- Fan speed controlled independently. On demand speed distribution leads to better energy efficiency.
- 30-min forward rotation and 1-min reverse rotation (reverse efficiency and length could change as needed for different working conditions) enabling carefree dedusting.
- Fast heating at start up.

856HE EMAX+ SPECIFICATIONS >>>



POWER BATTERY

Battery Type	Lithium Iron Phosphate
Rated Storage Energy	350 kWh
Nominal Voltage	580 V
System Voltage	DC24V
BMS Protection Level	IP67

Cooling Type	Intelligent Temperature Control, Liquid Cooling
--------------	--

Recommended Charger	240 kW
Charging Time	≤ 75 min

DRIVE MOTOR

Peak Power	160 kW
Protection Level	IP67

Ambient Temperature	- 40 ~ 85 °C
---------------------	--------------

Cooling Type	Intelligent Temperature Control, Liquid Cooling
--------------	--

Altitude	≤ 4300 m
----------	----------

HYDRAULIC MOTOR

Peak Power	160 kW
Protection Level	IP67

Ambient Temperature	- 40 ~ 85 °C
---------------------	--------------

Cooling Type	Intelligent Temperature Control, Liquid Cooling
--------------	--

Altitude	≤ 4300 m
----------	----------

CABIN

LiuGong I-Link (Telematics)	Standard
Cabin Guard	Standard

TRANSMISSION SYSTEM

Make	LiuGong
Transmission Type	Planetary, Powershift
Number of Speed	Forward 2 / Reverse 1
Forward Speed F1/F2	13/40 Km/hr
Reverse R1	13 km/hr

AXLES

Type	LiuGong Dry Axle
Axle Oscillation	± 9.0°

TIRES

Tire Size	23.5-R25-PR20
Type	Radial & Tubeless

SERVICE CAPACITIES

Cooling System	40 L
Hydraulic Reservoir	230 L
Axle, Front / Rear	35 / 35 L
Transmission	30 L

BRAKES

Service Brake Type	Full Hydraulic
Service Brake Actuation	Hydraulic Dry Brake
Parking Brake Type	Drum
Parking Brake Actuation	Electro Hydraulic Control

STEERING HYDRAULICS

System	Flow Amplifier
Steering Pump	Piston Variable Pump
Steering Relief Pressure	21 MPa

WORKING HYDRAULICS

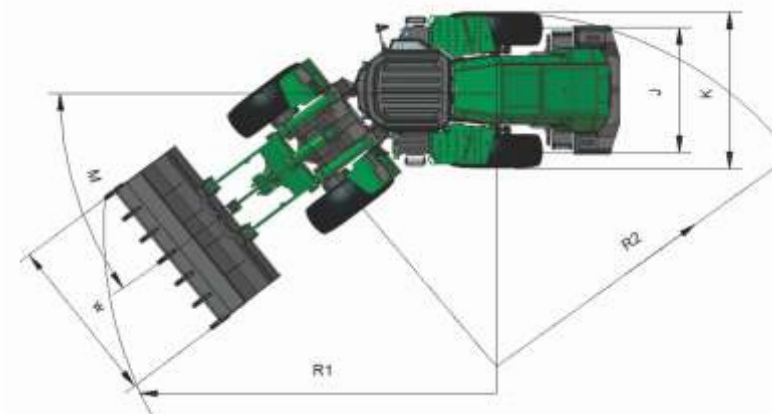
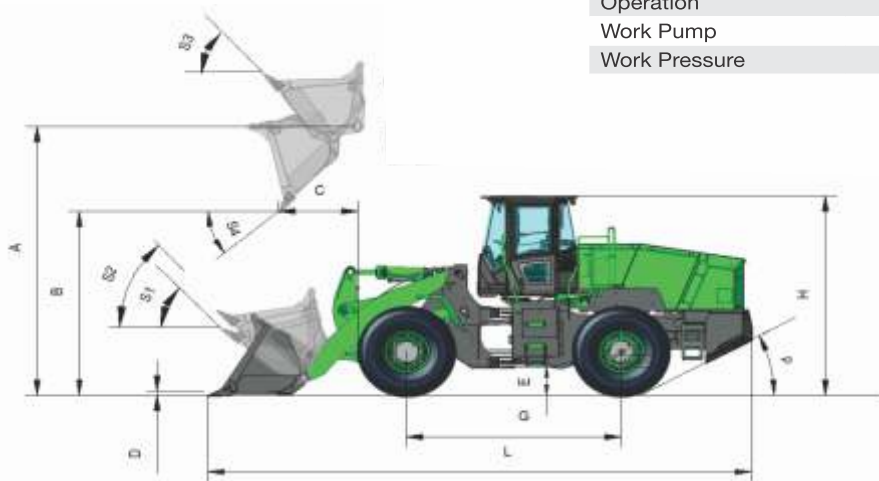
System	Fixed & Variable Dual Pump Confluent
Operation	Fingertip Control
Work Pump	Gear Pump
Work Pressure	25 MPa

LOADER ARM PERFORMANCE

Operating Weight	19,971 kg
Bucket Capacity	3.5 m³
Tipping Load - Full Turn	14,480 kg
Raise Time	5.2 s
Dump Time	1.5 s
Float Down Time	2.3 s
Fastest Total Cycle Time	9 s
Breakout Force	162 kN
A Maximum Hinge Pin Height	4,156 mm
B Dump Full Height Discharge	2,977 mm
C Dump Reach at Full Height Discharge	1,231 mm
D Maximum Digging Depth, Bucket Level	50.2 mm
S ₁ Bucket Rollback at Ground Level	44.3°
S ₂ Bucket Rollback at Carry	49°
S ₃ Bucket Rollback at Maximum Height	56°
S ₄ Maximum Dump Angle at Full Height	45°

DIMENSIONS

E Ground Clearance	431 mm
G Wheelbase	3,525 mm
H Cab Height	3,500 mm
J Wheel Tread	2,280 mm
K Width Over Tires	2,880 mm
L Length with Bucket Down	8,615 mm
M Turn Angle, Either Side	38°
P Rear Angle of Departure	28°
R ₁ Turning Radius, Bucket Carry	7,209 mm
R ₂ Turning Radius, Outside of Tire	6,625 mm
W Width Over Bucket	2,976 mm



LIUGONG INDIA NETWORK



- ★ Corporate Office
- Regional Offices
- 🏭 Manufacturing Plant
- Touch Points
- △ Dealers in SAARC Nations



Corporate Office:
 101, Okhla Phase III, New Delhi- 110020, Tel: 011-47272200
 india@liugong.com

Manufacturing Plant:
 Plot No. 163, Industrial Area, Sector-III, Pithampur
 Dist.- Dhar, Madhya Pradesh- 454774, Tel: 07292-416700

www.liugongindia.com

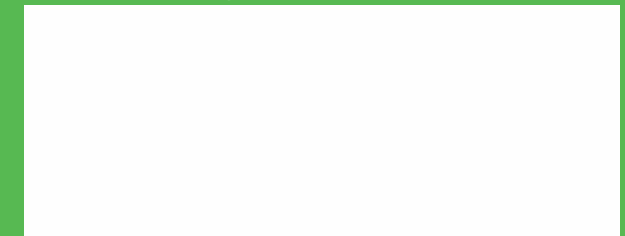
Like and follow us:



01/2023 LIPL

Mera LiuGong Mera Vishwas
1800 1033 852

Always a LiuGong dealer near you.



The LiuGong series of logos herein, including but not limited to word marks, device marks, letter of alphabet marks and combination marks, as the registered trademarks of Guangxi Liugong Group Co., Ltd. are used by Guangxi Liugong Machinery Co., Ltd. with legal permission, and shall not be used without permission. Specifications and designs are subject to change without notice. Machines shown may include optional equipment and may not include all standard equipment.