



Engine	Kirloskar
Operating Weight	6,400 Kg
Payload Capacity	1,800 Kg
Gross Power	74.5 HP
Standard Bucket	1.2 m ³

818H

WHEEL LOADER

TOUGH WORLD. TOUGH EQUIPMENT.

818H SPECIFICATIONS



OPERATING WEIGHT 6,400 Kg

ENGINE

Manufacturer	Kirloskar
Model	4R1190T-H.T
Emission	CEV-V
Gross Power	74.5 HP (54.8 kW) @ 2200 rpm
Peak Torque	400Nm @ 1200 rpm
Displacement	4.76 L
Aspiration	Turbocharged
Number of Cylinders	4

BUCKET CAPACITY

HD Bucket	0.8 m ³
General Purpose Bucket	1.2 m ³
Light Weight Material	1.8 m ³

TRANSMISSION

Make	Shantui
Transmission Type	Countershaft Powershift
Torque Converter	3 Element Single Stage
Number of Speed	Forward 2 / Reverse 2
Forward Speed F1/F2	8/25 km/h
Reverse R1/R2	8/25 km/h

AXLES

Make	LiuGong
Type	Planetary Hub Reduction
Axle Oscillation	±11°

TIRES

Tire Size	16/70-20 PR14
-----------	---------------

BRAKE SYSTEM

Service/Secondary Brake	Air Over Hydraulic
Parking Brake	Caliper Disc Brake Mechanical Actuation

HYDRAULIC SYSTEM

Main Pump Type	Gear Pump
Main Relief Pressure	20 Mpa
Control	Single Pilot Lever
Cylinder	Double Acting
Total Cycle Time	8.8 Sec

STEERING SYSTEM

Steering Type	Articulated
Pump Type	Gear Pump
Steering Working Pressure	14.8 MPa
Maximum Articulation Angle	±38°

ELECTRICAL SYSTEM

System Voltage	12V
Battery	150Ah, 12V

SERVICE CAPACITIES

Fuel Tank	88 L
Engine Oil	11 L
Cooling System	15 L
Transmission & Torque Converter	25 L
Hydraulic Tank	65 L
Axle Oil Each	8 L

CABIN

ROPS & FOPS
Mechanical Suspension Seat
Fan
I-Link

AIS160 (Part 1 & Part 2) COMPLIANT



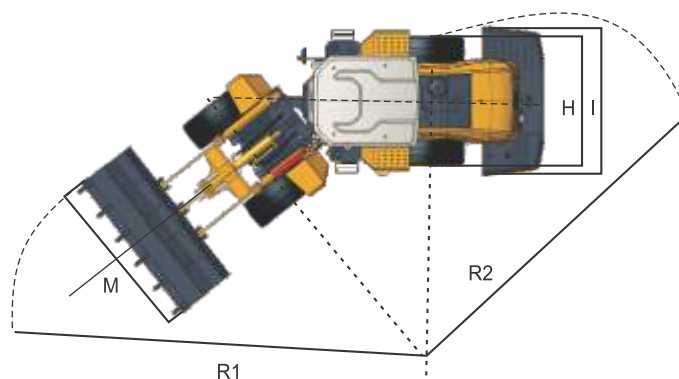
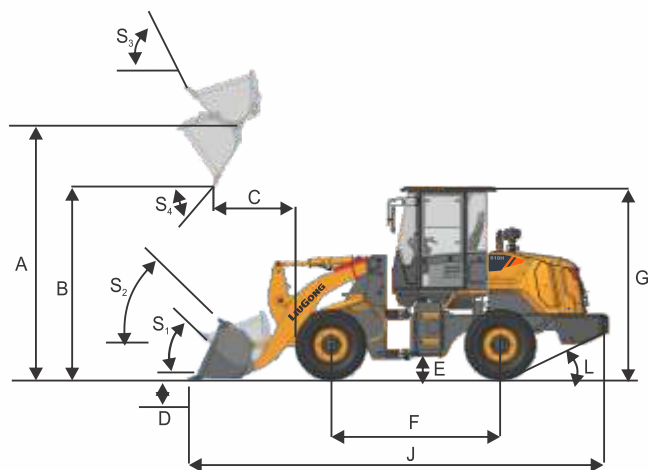
Mapping & Tracking | Geofencing | Utilization Report | Service Management

LOADER PARAMETER WITH STANDARD BOOM/BUCKET 1.2 m³

Tipping Load- Straight	4,300 kg
Tipping Load- Full Turn	4,000 kg
Bucket Breakout Force	55.4 kN
A-Hinge Pin Height, Fully Raised	3580 mm
B-Dumping Height, Fully Raised	2865 mm
C-Dumping Reach, Fully Raised	1056 mm
D-Max. Digging Depth	40 mm
E-Min. Ground Clearance	320 mm
F-Wheel Base	2560 mm
G-Overall Height (Top of Cab)	2900 mm
H-Tread Width	1520 mm
I-Overall Width (Outside of Wheel)	1940 mm
J-Overall Length (Bucket on Ground)	6365 mm
L-Departure Angle	25°
M-Overall Width (Outside on Bucket)	2225 mm
S1-Bucket Rollback at Ground Level	55°
S2-Bucket Rollback at Carry	60°
S3-Bucket Rollback at Maximum	65°
S4-Maximum Dump Angle at Full Height	45°
R1-Turning Radius (Outside of Bucket)	5280 mm
R2-Turning Radius (Outside of Rear Wheel)	4635 mm

OPTIONAL

Quick Coupling Attachment
Grapppler & Fork
4 in 1 Bucket
Rotary Beacon
Long Boom
Cab Guard
AC Cabin
Rear Camera



Note: Standard operating conditions, altitude: ≤2000 m (without deration), temperature: 0°C to +50°C (without grid heater)

Parameters of actual equipment shall be within ±2.5% of the values illustrated. Specifications are subject to change without prior notice. Optional equipments are available upon request. Please contact your local Liugong dealer for detailed information

Unit:mm

Corporate office
LiuGong India Pvt. Ltd.
 101, Okhla Industrial Estate, Phase III
 New Delhi- 110020
 Tel.: 011- 47272200
 www.liugong.com
 india@liugong.com

Plant Address:
 Plot No. 163, Industrial Area,
 Sector - III, Pithampur,
 Dist. - Dhar, Madhya Pradesh - 454774
 Tel.: 07292-416700

LIUGONG CARE
1800 1033 852

06/2025 LIPL

Specifications and designs are subject to change without notice. Machines shown may include optional equipment.