



<b>Engine</b>	Ashok leyland
<b>Gross Power</b>	160 HP (118 kW)
<b>Operating Weight</b>	13,200 Kg
<b>Payload Capacity</b>	4,200 Kg
<b>Standard Bucket</b>	2.6 m <sup>3</sup>

**842T<sup>MAX</sup>**  
**WHEEL LOADER**

**TOUGH WORLD. TOUGH EQUIPMENT.**

# 842T MAX SPECIFICATIONS >>>



## OPERATING WEIGHT 13,200 Kg

### ENGINE

Manufacturer	Ashok leyland
Model	H6C516022
Emission	CEV V
Gross Power	160 HP (118 kW) @ 2200 rpm
Peak Torque	650Nm @ 1400-1600 rpm
Displacement	5.7 L
Aspiration	Turbocharged
Number of Cylinders	6

### BUCKET RANGES

HD Bucket	1.8 m <sup>3</sup>
General Purpose Bucket	2.6 m <sup>3</sup>
Light Material	4 m <sup>3</sup>

### TRANSMISSION

Make	LiuGong
Transmission Type	Powershift
Torque Converter	Twin Turbine, Four Membrane
Number of Speed	Forward 2 / Reverse 1
Forward Speed F1/F2	12/40 km/h
Reverse R1/R2	17 km/h

### AXLES

Make	LiuGong
Type	Dry Type (Planetary Hub Reduction)
Axle Oscillation	±11

### TIRES

Tire Size	20.5-25 PR16
-----------	--------------

### BRAKE SYSTEM

Service/Secondary Brake	Air Over Hydraulic
Parking Brake	Drum Brake, Mechanical Actuation

### HYDRAULIC SYSTEM

Main Pump Type	Gear Pump
Main Relief Pressure	23 MPa
Control	Single Pilot Lever
Cylinder	Double Acting
Total Cycle Time	8.8 Sec

### STEERING SYSTEM

Steering Type	Articulated
Pump Type	Gear Pump
Steering Working Pressure	17.2 MPa
Maximum Articulation Angle	±38°

### ELECTRICAL SYSTEM

System Voltage	24 V
Battery	150Ah, 12V x 2

### SERVICE CAPACITIES

Fuel Tank	180 L
Hydraulic System	130 L
Engine Oil	16 L
Cooling System	30 L
Front Axle Oil	33 L
Rear Axle Oil	33 L
Transmission & Torque Converter Oil	27 L

### CABIN STANDARD FEATURES

Air Conditioned
I-Link
ROPS & FOPS
Rear View Camera
Mechanical Suspension Seat
Cabin Guard

### AIS160 (Part 1 & Part 2) COMPLIANT



Mapping & Tracking | Geofencing | Utilization  
Report | Service Management

### LOADER PERFORMANCE WITH STANDARD BUCKET 2.6 m<sup>3</sup>

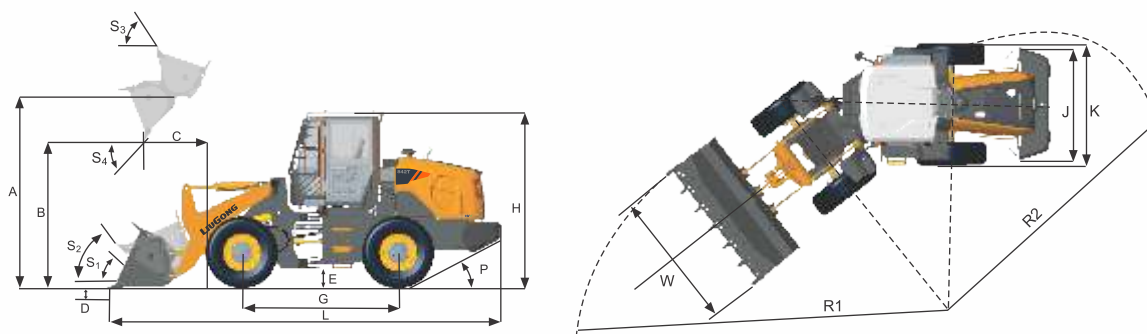
Tipping Load- Straight	10,200 kg
Tipping Load- Full Turn	88,20 kg
Bucket Breakout Force	135 kN
A-Hinge Pin Height, Fully Raised	4068 mm
B-Dumping Height, Fully Raised	2930 mm
C-Dumping Reach, Fully Raised	1200 mm
D-Max. Digging Depth	50 mm
E-Min. Ground Clearance	424 mm
G-Wheel Base	2930 mm
H-Overall Height (Top of Cab)	3350 mm
J-Tread Width	2350 mm
K-Overall Width (Outside of Wheel)	2470 mm
L-Overall Length (Bucket on Ground)	7600 mm
P-Departure Angle	30°
W-Overall Width (Outside on Bucket)	2740 mm
S1-Bucket Rollback at Ground Level	42°
S2-Bucket Rollback at Carry	46°
S3-Bucket Rollback at Maximum	56°
S4-Maximum Dump Angle at Full Height	45°
R1-Turning Radius (Outside of Bucket)	6248 mm
R2-Turning Radius (Outside of Rear Wheel)	5260 mm

### OPTIONAL

Payload Measurement System
Side Dump Bucket
Snow Plow
Dozer Blade
Multiple Fork and Log Handling

### DGMS KIT (OPTIONAL)

Rim Protection Device	Seat Belt Reminder
Automatic Fire Suppression & Detection System	Neutral Braking /Door Interlock
Automatic Centralized Lubrication System	Emergency Stop / Ground Level Engine Shutoff- Button
Rotary Beacon	Audio Visual Alarm
Proximity Warning Device	Operator Fatigue Warning
3 Point Contact Seat Belt	



Note: Standard operating conditions, altitude: ≤2500 m (without deration), temperature: 0°C to +50°C (without grid heater)

Parameters of actual equipment shall be within ±2.5% of the values illustrated. Specifications are subject to change without prior notice. Optional equipments are available upon request. Please contact your local Liugong dealer for detailed information

**Corporate office**  
**LiuGong India Pvt. Ltd.**  
101, Okhla Industrial Estate, Phase III  
New Delhi- 110020  
Tel.: 011- 47272200  
www.liugong.com  
india@liugong.com

**Plant Address:**  
Plot No. 163, Industrial Area,  
Sector - III, Pithampur,  
Dist. - Dhar, Madhya Pradesh - 454774  
Tel.: 07292-416700

**LIUGONG CARE**  
**1800 1033 852**

06/2025 LIPL

Specifications and designs are subject to change without notice. Machines shown may include optional equipment.